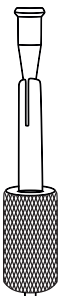
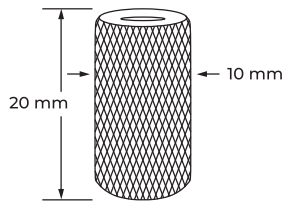
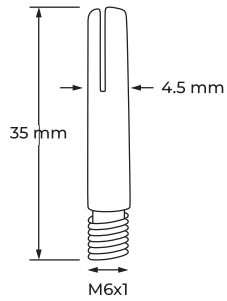
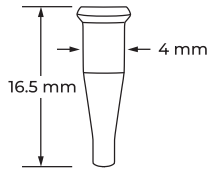


INSTALLATION INSTRUCTIONS:

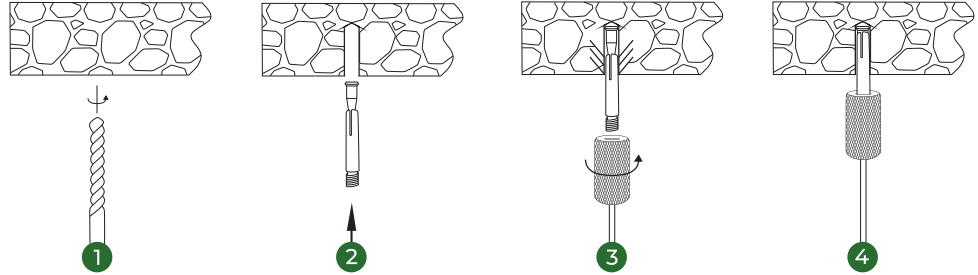
Acoustic Panels suspension system — for interior installation (Steel + Brass)

EXPANDING BOLT

Material: Steel+Brass
Finish: Nickel

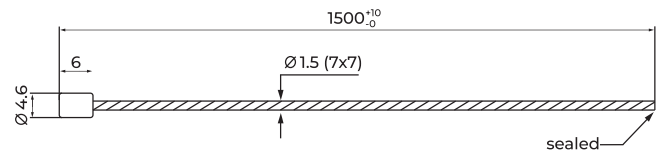


CEILING INSTALLATION



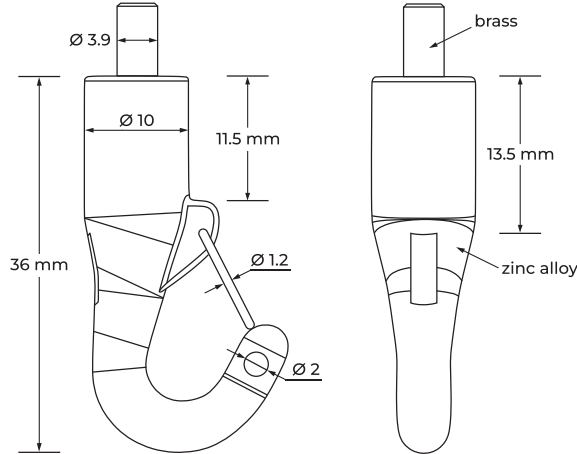
EXPANDING BOLT

Material: Steel
Finish: Galvanized



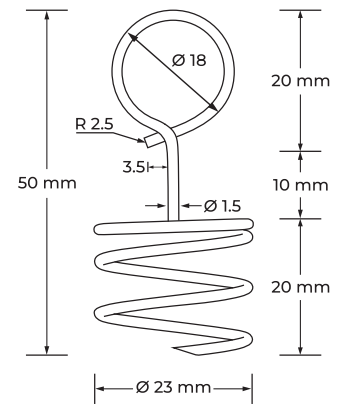
HOOK

Material: Brass+Zinc alloy
Finish: Nickel

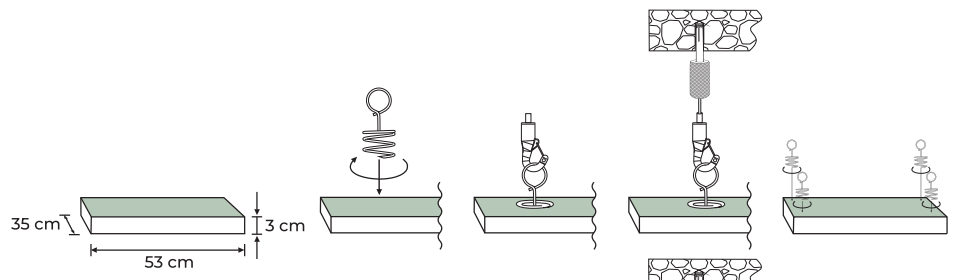


SPRING

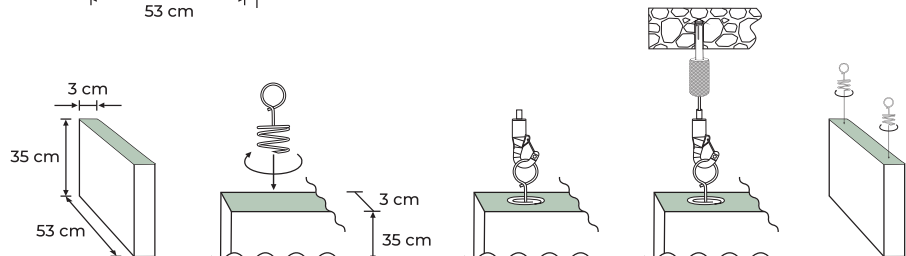
Material: SUS304
Finish: Nickel



HORIZONTAL USE



VERTICAL USE

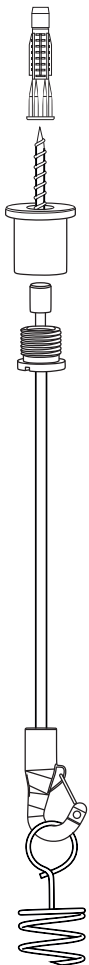
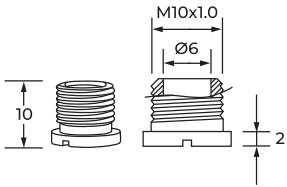
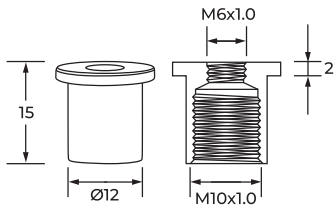
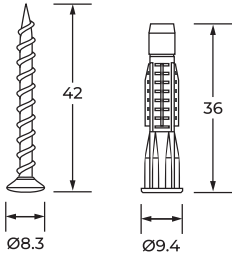


INSTALLATION INSTRUCTIONS:

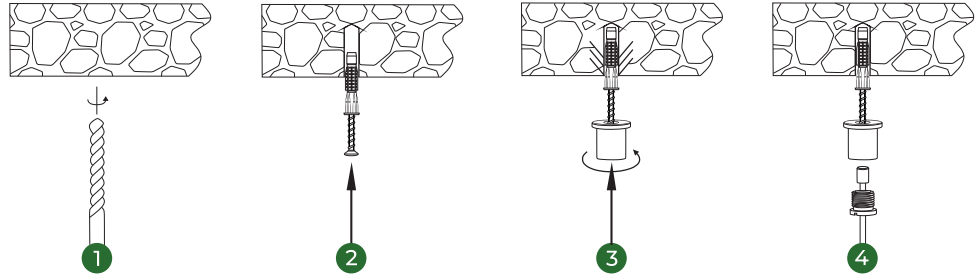
Acoustic Panels suspension system - for interior installation (Brass)

EXPANDING BOLT

Material: Brass
Finish: Nickel

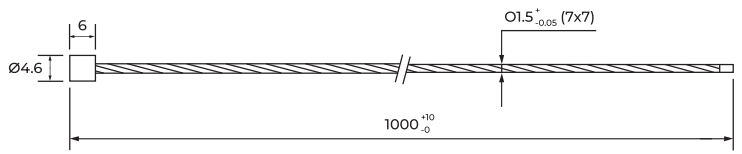


CEILING INSTALLATION



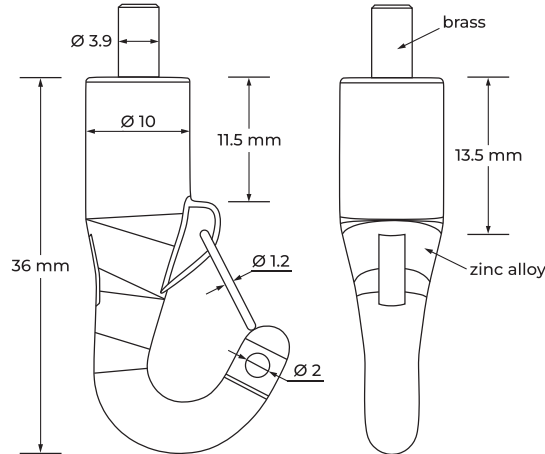
EXPANDING BOLT

Material: SUS304
Finish: RAW



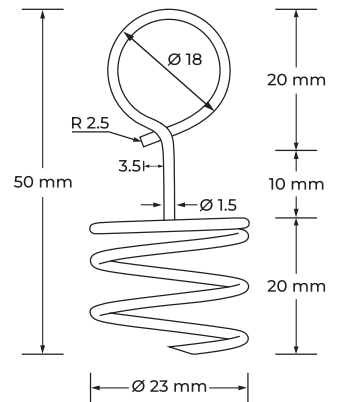
HOOK

Material: Brass
Finish: Nickel

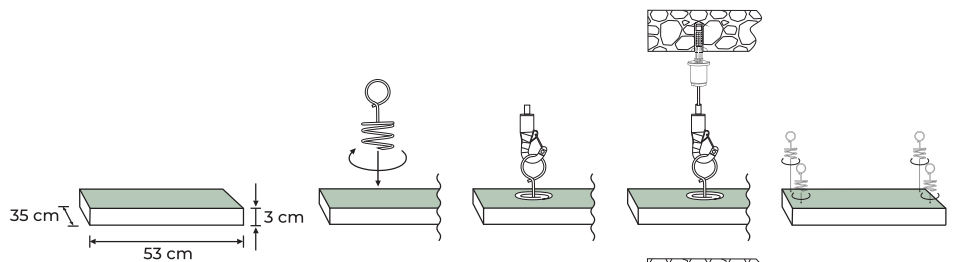


SPRING

Material: SUS304
Finish: Nickel



HORIZONTAL USE



VERTICAL USE

